**Inductive Shaft encoder, Absolute**

- 58mm diameter
- Extremely robust design
- Shock and vibration protected
- Inductive scanning

**Mechanical data**

| | |
|--------------------------------------|-------------------------|
| Operating temperature | -40 °C...+70 °C |
| Ingress protection class [IEC 60529] | IP 66 and IP 67 |
| Vibration [IEC 60068-2-64] | ≤ 300 m/s ² |
| Shock [IEC 60068-2-27] | ≤ 2000 m/s ² |
| Shaft load (axial/radial) | 100 / 125 N |
| Rotational speed max | 12000 rpm |
| Shaft material | Stainless steel |
| Cover material | Aluminium (anodized) |
| Weight | 430 g |

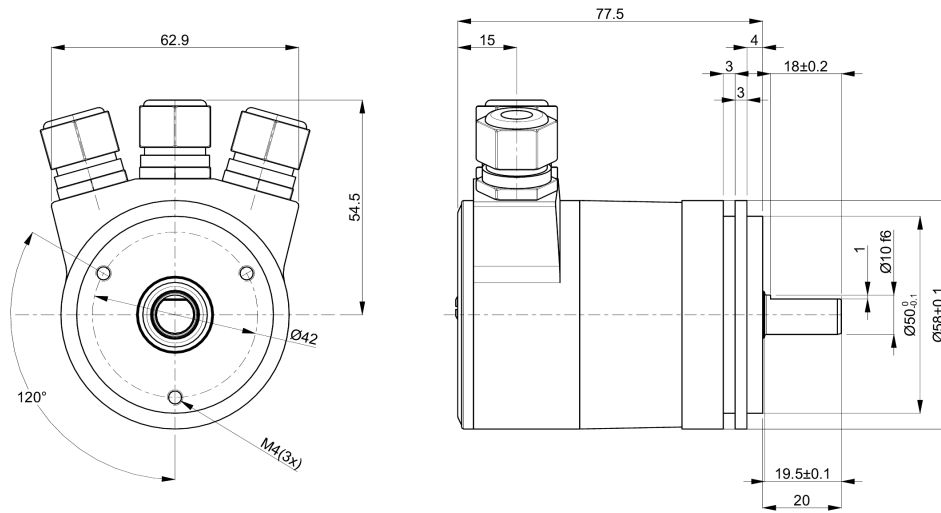
Encoder config

| | |
|----------------------|---|
| Type | ISA |
| Model | 608 Multiturn |
| Shaft type | Ø10 mm shaft with face |
| Flange type | Synchro flange (63-type) |
| Power supply | 9-36 Vdc |
| Output interface | PROFIBUS DP |
| Absolute resolution | 25 bit (13 bit singleturn + 12 bit multiturn) |
| Connection type | Cable gland |
| Connecting direction | Radial |

Electrical data

| | |
|---------------------|--------------------------------------|
| Polarity protected | Yes |
| Current consumption | 95 mA at 24 Vdc |
| Absolute accuracy | ± 180 arcsec |
| Supported profile | Encoder profile 3.062 and 3.162 v4.1 |
| Node adress | Settable via DIP switches, 0...99 |
| Baud rate | Max. 12 Mbit/s |

Dimensions



Supported functions

Preset, Scaling, Code sequence, Isosynchronous mode (only DPV2), Velocity (only DPV0 class 2)

Pin Configuration

| Function | Terminal |
|---------------|----------|
| +E Volt | + (1) |
| 0 Volt | - (2) |
| B** (Bus in) | B (3) |
| A* (Bus in) | A (4) |
| B** (Bus out) | B (5) |
| A* (Bus out) | A (6) |

*A terminals are connected

**B terminals are connected

Order information

| | |
|-------------|------------|
| Part number | 1070267-01 |
|-------------|------------|