

### Ruggedized Shaft encoder, Incremental

- Robust ø58 mm encoder with solid shaft
- Short-circuited protected outputs
- IP67 at housing, IP66 at shaft inlet
- Extra robust electronics



### Mechanical data

Operating temperature	-40 °C...+70 °C
Ingress protection class [IEC 60529]	IP67 (IP66 at shaft inlet)
Vibration [IEC 60068-2-64]	≤ 300 m/s <sup>2</sup>
Shock [IEC 60068-2-27]	≤ 2000 m/s <sup>2</sup>
Shaft load (axial/radial)	100 N / 120 N
Rotational speed max	3000 rpm
Shaft material	Stainless steel
Cover material	Aluminium
Weight	300 g

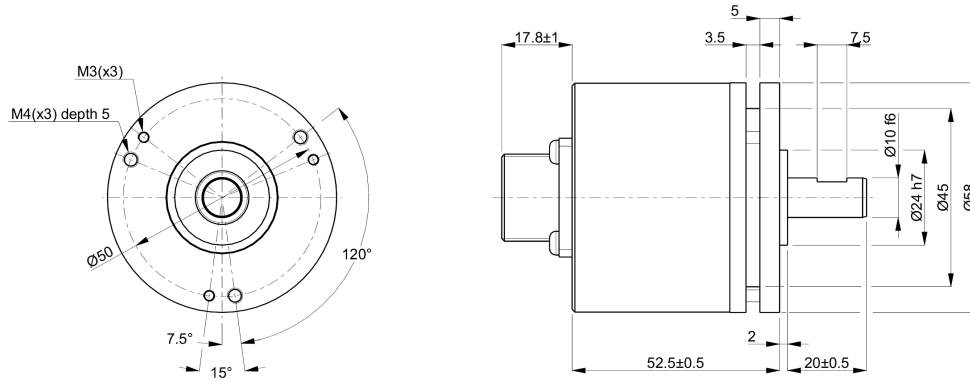
### Encoder config

Type	RSI
Model	501 Extra robust
Shaft type	Ø10 mm with partial flat
Flange type	51-flange
Resolution	10 ppr
Power supply	9-36 Vdc
Output signal	HCHTL
Connection type	MS connector 6-pin
Connecting direction	Axial
Number of channels	2 (S00, S90)

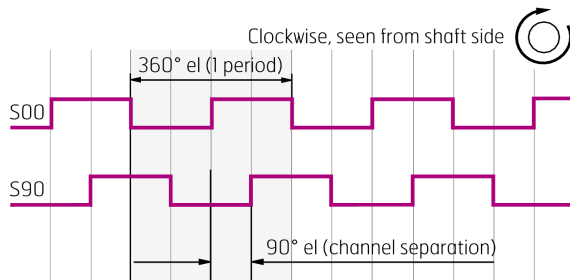
### Electrical data

Polarity protected	Yes
Short circuit protected outputs	Yes
Current consumption	55 mA at 24 Vdc (Max. 80 mA)
Incremental output load (max)	± 40 mA
Output frequency max	200 kHz
Cable length max	350 m at 100 kHz
Channel separation	90 °el ± 25 °el
Dividing error	± 50 °el

## Dimensions

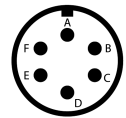


## Output signal



## Pin Configuration

Function	Pin
S90	A
S00	D
+E V	E
0 V	F



## Order information

Part number	530135-05
-------------	-----------