

ADS Online Upgrade Unit

Add-on encoder diagnostics

 ADS ONLINE



Prevent standstill by upgrading your encoders

The ADS Online Upgrade Units can be bought as separate modules and installed on already running encoders in the 800 series. This will provide you with beforehand information about the need for service. Maintenance can be planned well in time to avoid standstill.

The 800 series encoders have a documented lifespan of more than ten years. But the lifespan of a specific unit is not easily predictable, as it will be affected by a number of operational and environmental factors. Alignment and speed of the motor shafts, exposure to vibrations, shock, or high temperatures, all have their impact on lifespan. An encoder which has been subjected to extra heavy stress might need immediate substitution, while another, which has served under good conditions, might be used for several more years still.

ADS online monitors a number of parameters that are fundamental for the encoder function. Do the pulses

have the correct voltage level, and do they behave according to their expected pattern? How well do the optics perform? By monitoring the trend of the inner components' performance it is possible to detect wear in an early stage. A signal is given for recommended change of encoders, well in time before a failure occurs.

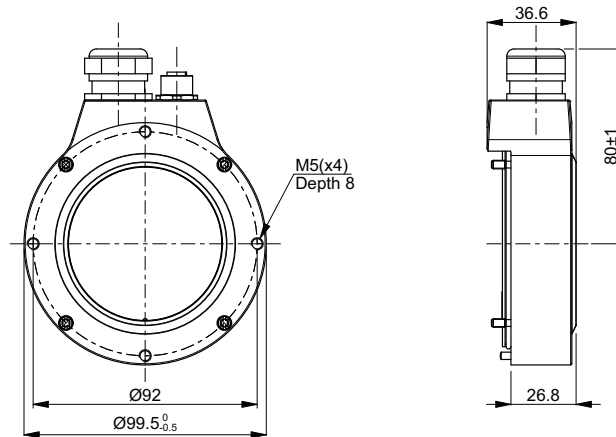
Drawing conclusions about how the detected deviations affect the function of the encoder would require extensive knowledge. The ADS Online Upgrade Unit performs this analysis automatically. If any component begins to wear out, a signal is sent to tell that the encoder needs to be replaced.

With ADS Online, service is no longer needed in preventive purpose, but only when really necessary. Thanks to the overview of each encoder's status you can avoid unwelcome surprises. Reliable and predictable performance of the encoders is the key to production efficiency.

LEINE & LINDE

Leine & Linde AB T +46-(0)152-265 00 F +46-(0)152-265 05 info@leinelinde.com www.leinelinde.com

Dimensions



Configuration

Power supply	9-30 Vdc
Output signals	RS422, HTL, HCHTL (3 or 6 channels)
Connection type	Cable gland M20, Connector 12 pin M23, Cable
Connection direction	Radial
Compatible encoders	Model 850, 861 and 862 with above specifications

Ordering information (should be selected according to base encoder specification)

Cover

- 0 = Standard
- 1 = Rear torque bracket
- 2 = Standard + ground wire
- 3 = Rear torque bracket + ground wire

Connection

- 1 = Radial 12 pin M23 connector CW
- 2 = Radial 12 pin M23 connector CCW
- 4 = M20 cable gland, Ø8-11 mm
- 5 = M20 cable gland, Ø11-14 mm
- 9 = Cable, radial xx m

Electronics

- 1 = HCHTL 3 channels (9-30 Vdc supply, 9-30 Vdc output)
- 2 = HCHTL 6 channels (9-30 Vdc supply, 9-30 Vdc output)
- 3 = HTL (9-30 Vdc supply, 9-30 Vdc output)
- 4 = RS422 (9-30 Vdc supply, 5 Vdc output)

Resolution

A	U	U	0	4	0					-				
---	---	---	---	---	---	--	--	--	--	---	--	--	--	--

Accessories

Part number	Accessory
824713-01	PC-software, USB memory with installation file for program setup. For Windows XP, 7 and 8.
800480-01	Connection cable – encoder to PC, Ethernet cable M12-RJ45, 2 meters