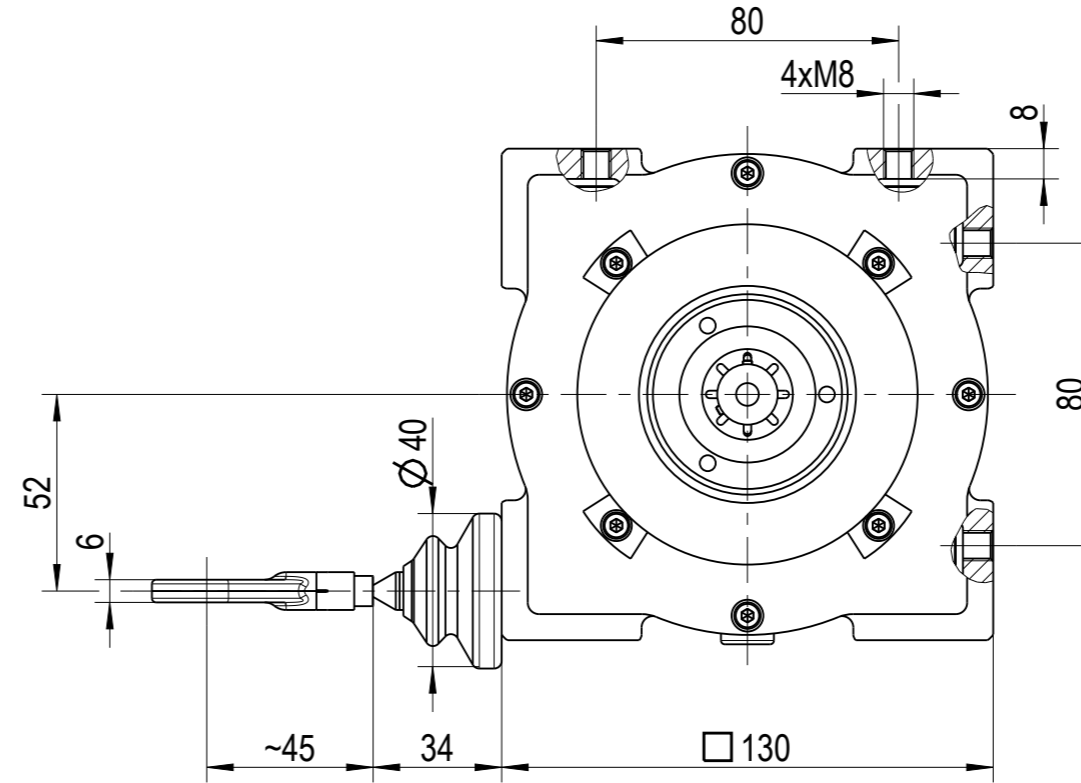
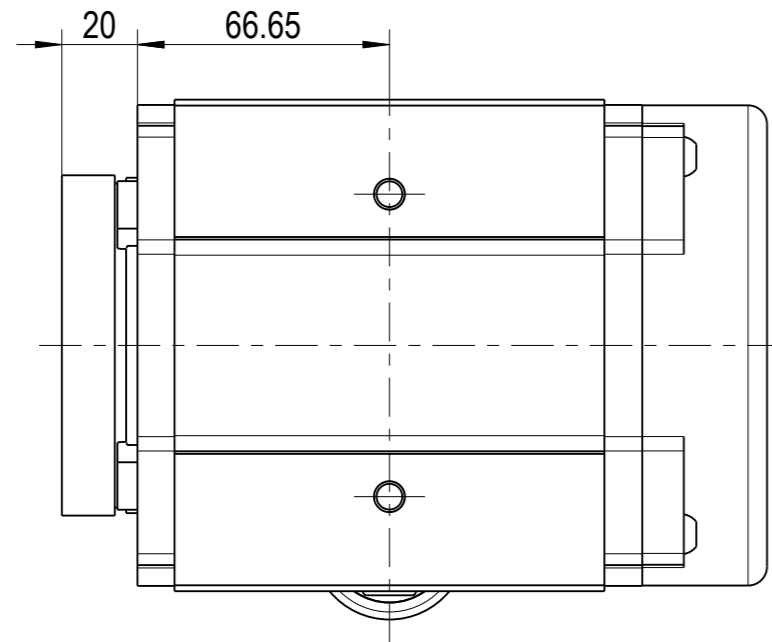


# rope length transmitter of series SL3000 - type: SL3010-X1/GS130/K/F



### technical details:

measuring range : 0 - 10m  
pull-off length : 10,2m  
casing material : aluminium, anodized  
spring casing : plastic (black)

wire diameter :  $\varnothing$  1,35mm (stainless steel 1.4401)  
circumference of drum : approx. 334,1mm  
absolute accuracy : max.  $\pm$ 6,00mm (mechanic)  
hysteresis : max. 4,00mm (mechanic)  
reproducibility : max. 1,00mm (mechanic)

spring return : 1 spring cartridge  
-initial force : 15N  
-ultimate power : 21N

temperature range : -30° ... +70°C  
max. adjustment speed : 4 m/sec  
lifetime (\*) : 1 mio. cycle  
protection class : IP 44  
weight : approx. 3,5kg

(\*) correspond to the application

applicable for adding the encoders with:

- clamp flange  $\varnothing$  50<sub>h7</sub>
- 3xM4 on pitch circle diameter 42
- shaft  $\varnothing$  6<sub>h7</sub>, length 10mm
- shipment inclusive coupling

