

rope length transmitter of series SL3000 - type: SL3015-MH64-1023-MU/GS130/K/F

FSG Fernsteuergeräte
Mess- und Regeltechnik GmbH
D-15712 Königs-Wusterhausen
OT Kablow, Mühlenweg 2-3



technical details

measuring range : 0-15m
pull-off length : 15,2m
casing material : aluminium anodized
spring casing : plastic (black)

wire diameter : Ø1,35mm (stainless steel 1.4401)
circumference of drum : 334,1mm
absolute accuracy : max. ±8,00mm (mechanic)
hysteresis : max. 5,00mm (mechanic)
reproducibility : max. 1,50mm (mechanic)

spring return : 2 spring cartridges
-initial force : 15N
-ultimate power : 21N

temperature range : -30° ... +70°C
max. adjustment speed : 4 m/sec
lifetime (*) : 1 mio. cycle
protection class : IP 64
weight : 5,8kg

(*) correspond to the application

electrical details

magnetic angle sensor
type: MH64-1023-MU-i

casing : aluminium, painted
protection class casing : IP 65
protection class shaft : IP 64

supply : 18-36V DC
output : 4-20mA at max. 600Ω
3/4 wire system without galvanic separation
current consumption : <50mA

linearity : ±0,2%
output resolution : 14 bit / 25mA

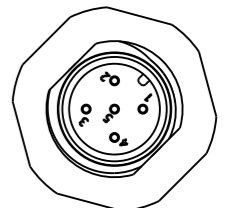
sensor resolution : 16 bit to 2^N turns
factory set to N_{max} = 6 (64 turns)

electrical connection via plug
measuring range free programmable with keypad

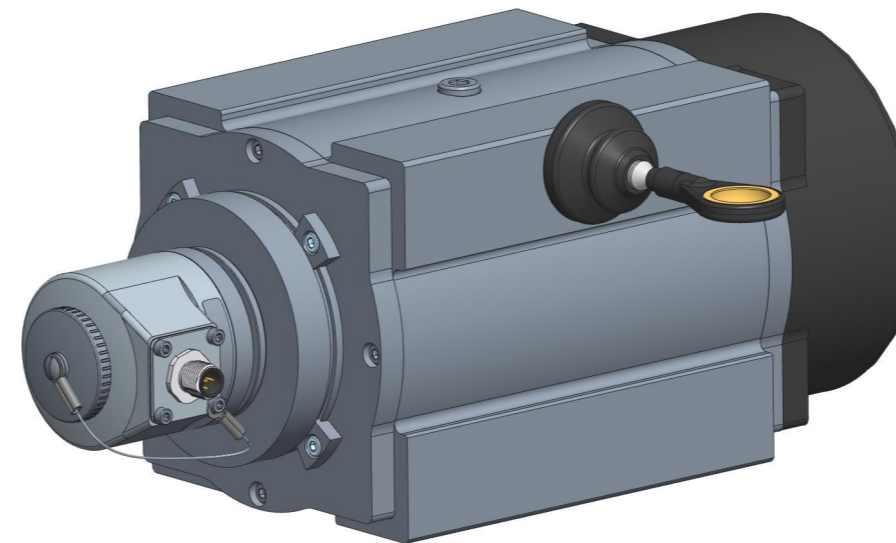
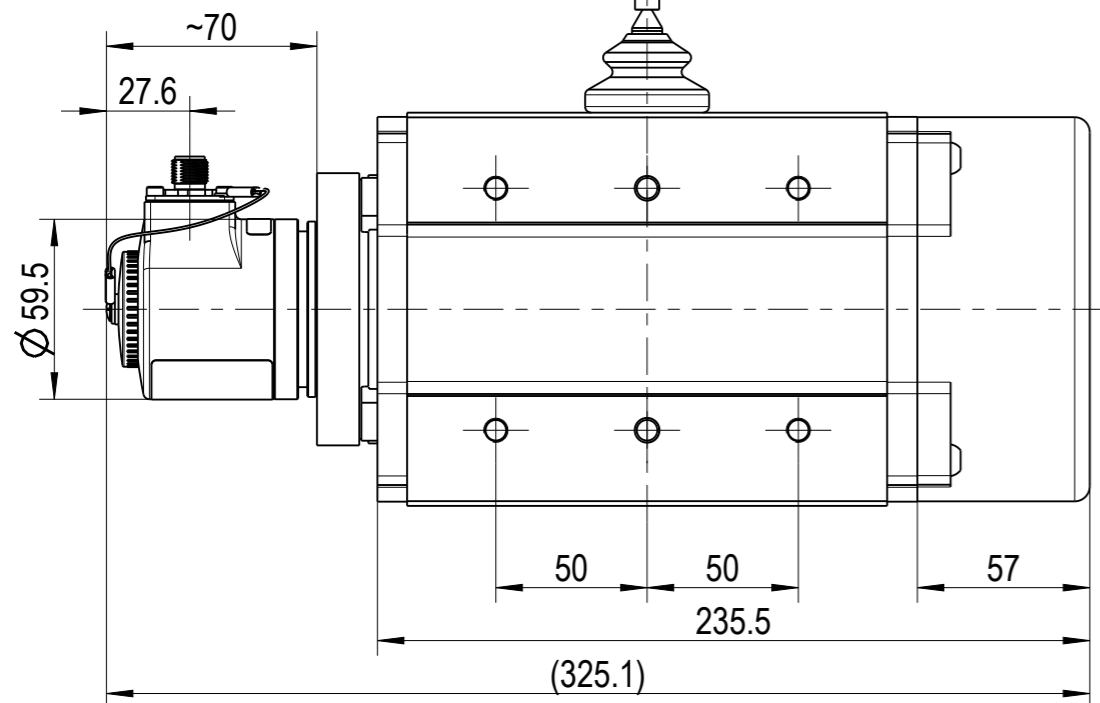
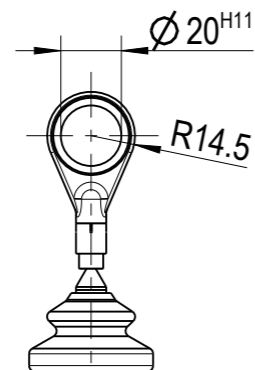
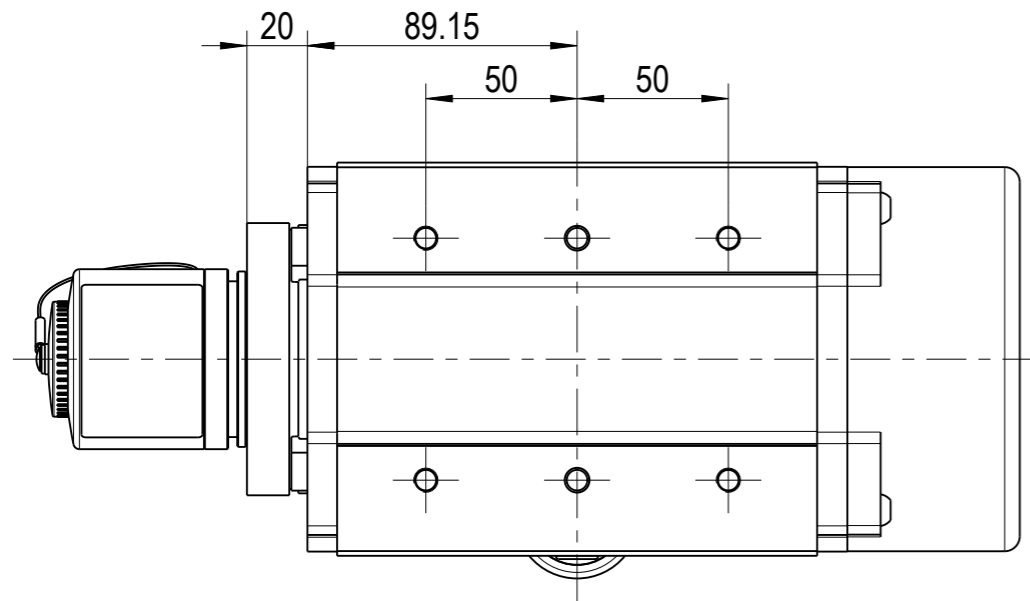
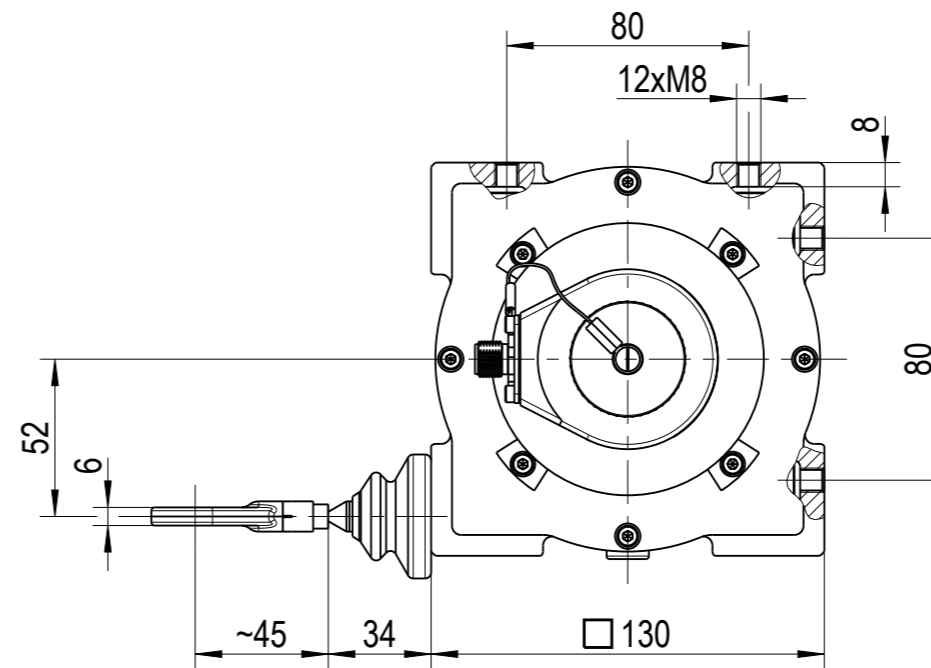
temperature range : -30° up to +70°C
weight : approx. 400g

connection

pin 1 : GND
pin 2 : +24V DC
pin 3 : output GND *)
pin 4 : output 4-20mA
pin 5 : n.c.



*) for use as 4 wire system (recommended)



Diese Unterlage ist unser Eigentum
Ihre Kopie ist nur für den angegebenen Zweck
oder Konstruktionszwecke ist anbar und geistlich verlegt.
(Urheberrechtlich geschützt. Gesetz gegen unlauteren Wettbewerb (UWG))

5930Z01-144M057E /0

ID-no.:

FSG-article-no.: 5930Z01-144.057

customer:

file: 5930Z01_144M057E .dwg

page 1/1

M 2:5

date	23.08.2021
signed	C.Dierich
checked	Henkel