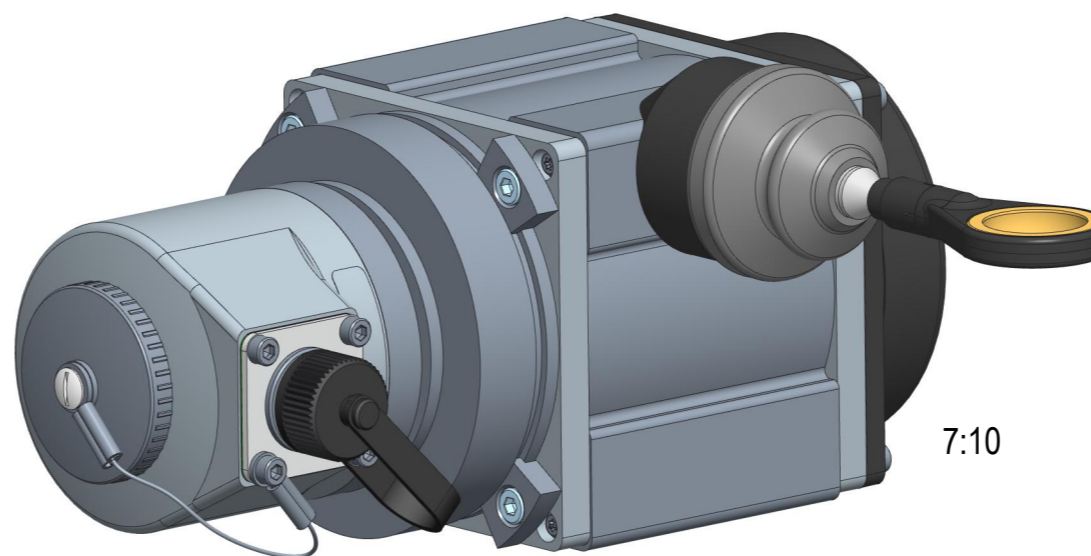
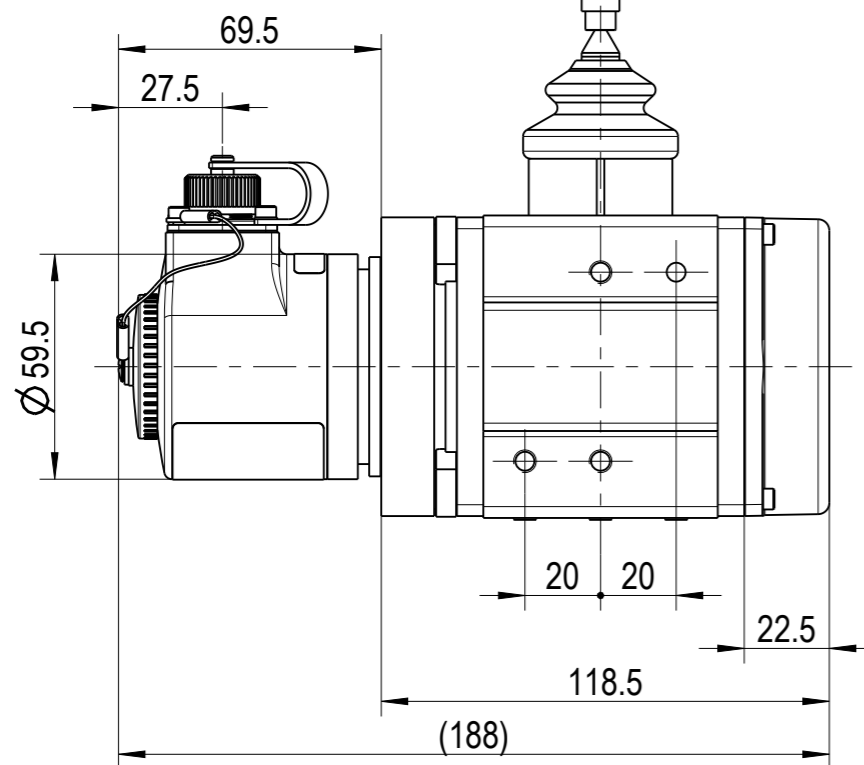
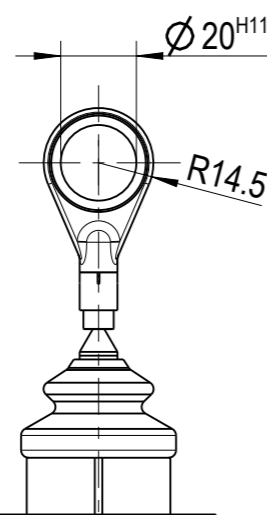
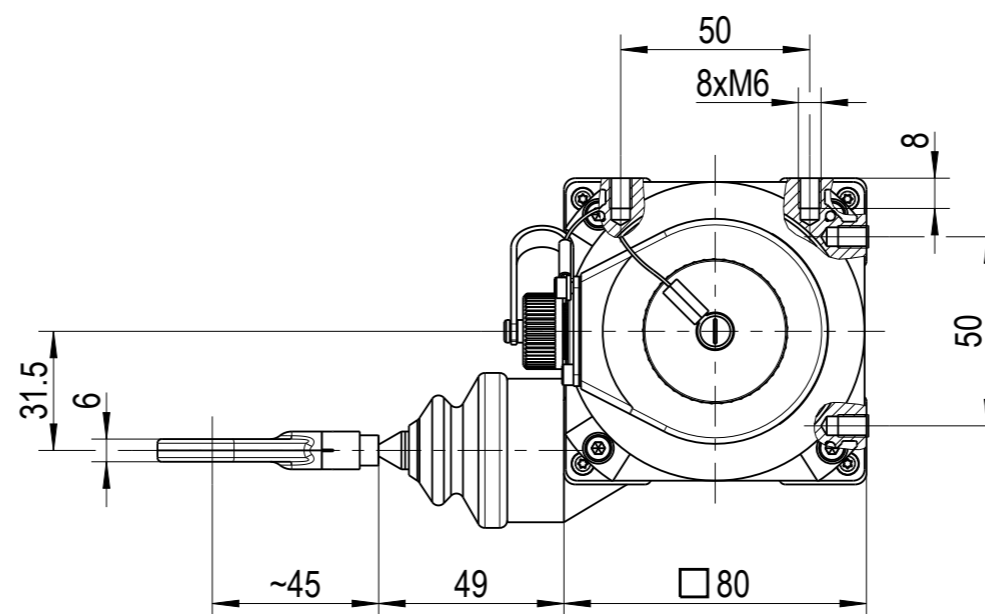
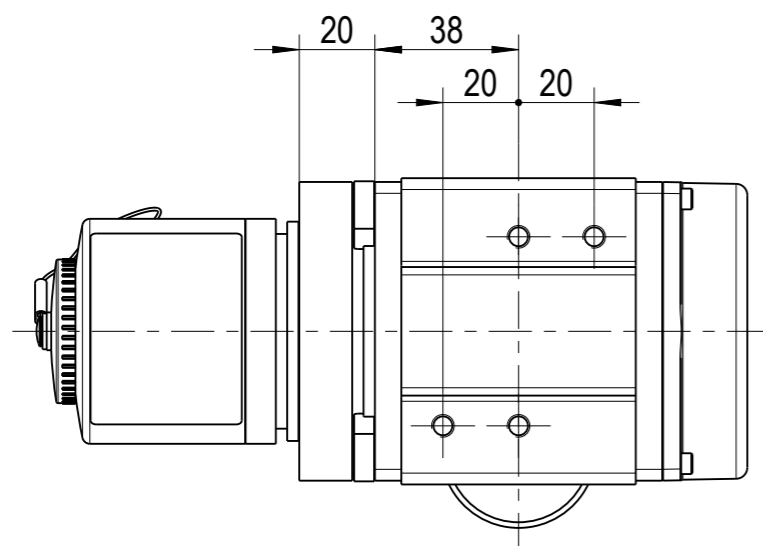


rope length transmitter of series SL3000 - type: SL3003-MH1023-MU/GS80/G/F-01

FSG Fernsteuergeräte
Mess- und Regeltechnik GmbH
D-15712 Königs-Wusterhausen
OT Kablov, Mühlenweg 2-3



technical details:

measuring range : 0 - 3000mm
pull-off length : 3200mm
casing material : aluminium, anodized
spring housing : GD-ZnAl4, painted black

wire diameter : Ø 1,35mm (stainless steel 1.4401)
circumference of drum : approx. 334,1mm
absolute accuracy : max. ± 2,0mm (mechanic)
hysteresis : max. 1,0mm (mechanic)
reproducibility : max. 0,2mm (mechanic)

spring return : 1 spring cartridge
-initial force : 8N
-ultimate power : 14N

temperature range : -30° up to +70°C
max. adjustment speed : 4 m/sec
lifetime (*) : 1 mio. cycle
protection class : IP 64
weight : approx. 2,0kg

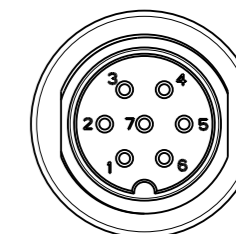
(*) correspond to the application

encoder system:
magnetic angle transmitter
type : MH1023d-MU/i-01

casing material : aluminium, anodized
cap : silver-gray painted
electrical connection via plug
7poles, serie 723, A-coded
shipment inclusive mating connector
casing protection class : IP 65
measuring range programmable via keyboard
output : 4-20mA
linearity : ±0,2%
3/4-wire system without galvanic isolation
supply : 18-36V DC (burden 600Ω)
9-18V DC (burden 200Ω)
programming according to 5755Z02-PG:01

pin assignment:

Pin 1 : 0V
Pin 2 : 18-36V DC
Pin 4 : output 4-20mA



Diese Unterlage ist unser Eigentum
Ihre Kopie ist ohne schriftliche Genehmigung
des Herstellers nicht zulässig.
(Urheberrechtlich geschützt. Gesetz gegen unfaire Wettbewerbspraktiken)

5932Z01-144M059E /0

ID-no.:

FSG-article-no.: 5932Z01-144.059

customer:

file: 5932Z01_144M059E .dwg

page 1/1

M 1:2

date	23.06.2021
signed	c.dierich
checked	Henkel