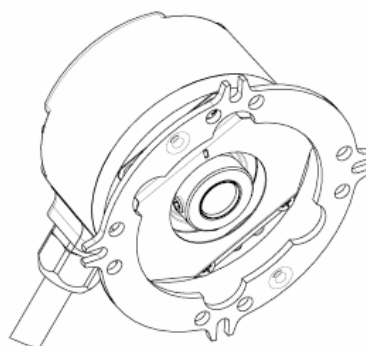


# RHI 594

- >> 6 short-circuit protected outputs
- >> Robust housing for harsh environment
- >> Shock and vibration protected
- >> High temperature

## ELECTRICAL SPECIFICATION

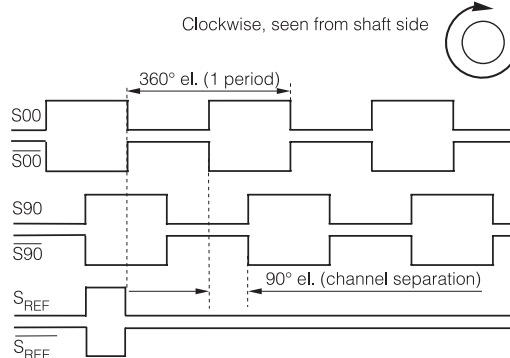
Supply voltage	5 Vdc	9-30 Vdc	
Output signals	TTL	HTL	RS-422
Current consumption	45 mA	50 mA @ 24Vdc	25 mA @ 24 Vdc
Max consumption	75 mA	75 mA	40 mA
Load max	± 20 mA	±40 mA	±20mA
Max cable length	50m	200m @ 50kHz	1km (TIA/EIA-422-B)
U <sub>high</sub> @ 10 mA load	> 3,0 V	> +EV – 2,0 V	> 3,0 V
U <sub>Low</sub> @ 10 mA load	< 0,4 V	< 1,15 V	< 0,4 V
Line counts	1-5000 ppr (other on request)		
Measuring steps	4 x line counts		
Accuracy			
Dividing error	± 50° el		
Channel separation	90° ± 25° el		
Frequency range	0...300 kHz		



## MECHANICAL SPECIFICATION

Shaft, stainless steel	Ø 12 hollow shaft
Load max	
Radial	60 N
Axial	50 N
Speed max	6000 rpm
Temperature	
Operating	-20°C ... +100°C
Storage	-20°C ... +100°C
Housing	Aluminium, anodized
Weight	Approx. 300 g
Protection class	IP 67 according to IEC 60529 IP 66 at shaft inlet
Vibration	< 300 m/s <sup>2</sup> (55...2000 Hz)
Shock	< 2000 m/s <sup>2</sup> (6 ms)
Cable	TPE/PUR 5x2x0,25mm <sup>2</sup>

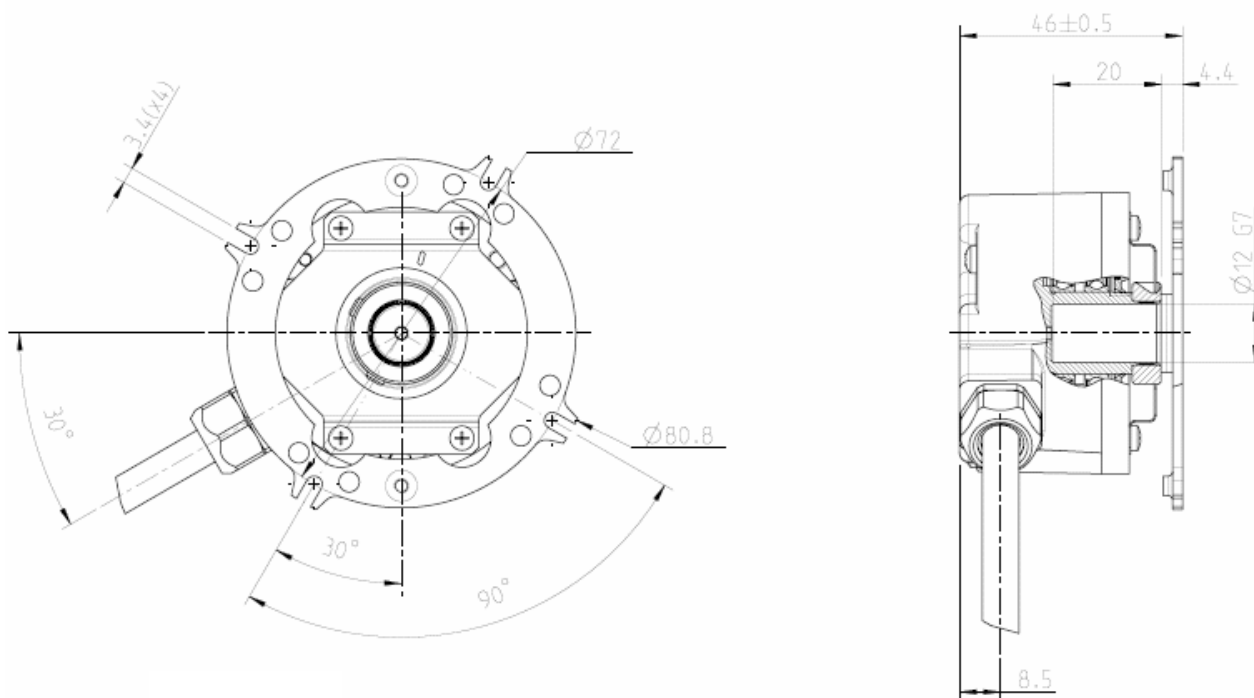
## OUTPUT SIGNALS



## CONNECTION

Function	Colour
S00	Yellow
S00 inverted	Black
S90	Green
S90 inverted	White
S <sub>REF</sub>	Brown
S <sub>REF</sub> inverted	Violet
STATUS	Grey
+ E Volt	Red
0 Volt	Blue

# RHI 594



## ORDERING INFORMATION

Available models

### 630409-01

RHI 594 58sp  $\phi 12$ hs 9-30 Vdc 1000 ppr  
HTL Radial cable 1,5m

### 630409-02

RHI 594 58sp  $\phi 12$ hs 9-30 Vdc 1024 ppr  
HTL Radial cable 1,5m

Other variants on request

**LEINE LINDE** ISO 9001 / ISO 14001 certified

T +46 152 26500 F +46 152 26505  
Olivehällsvägen 8, SE-645 42 Strängnäs, Sweden.  
www.leinelinde.com info@leinelinde.se

2007-06-26 / Specifications can be changed without prior notice.