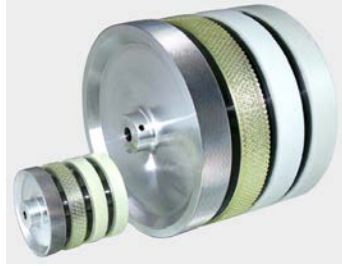

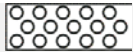
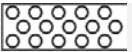



Measuring wheels 200 mm



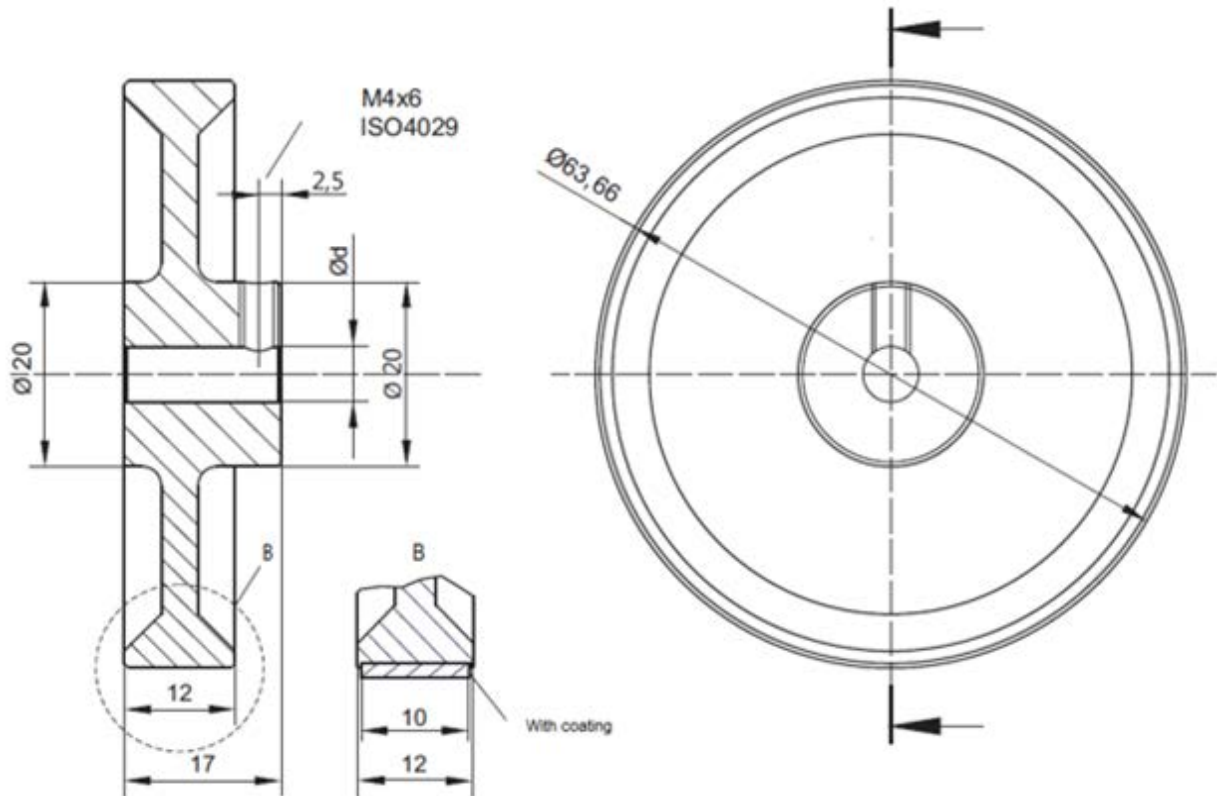
Aluminium measuring wheels, axially and circumferentially knurled, Polyurethane coated, with different running surface structures, for length measurement of different materials.

Technical data

Part number	1069101-03	1069101-05	1069101-06	1069101-08
Fits Encoder shaft size	Ø10 mm	Ø 10 mm	Ø 4 mm	Ø10 mm
Material core	Aluminium	Aluminium	Aluminium	Aluminium
Material running surface	Polyurethane	Polyurethane	Polyurethane	Polyurethane
Running surface structure	Smooth	Studded	Studded	Corrugated
Profile				
Circumference	200 mm ± 0,2	200 mm ± 0,2	200 mm ± 0,2	200 mm ± 0,2
Weight	60 g	60g	60g	60g
Operating temperature range	-30°C...+80°C	-30°C...+80°C	-30°C...+80°C	-30°C...+80°C
Ex. Fields of application	Greasy metals Steel profiles Plastics Paper Wood Cardboard Wires Leather	Rough textiles Carpets Paper Cardboard Wood Fleece Plastics	Rough textiles Carpets Paper Cardboard Wood Fleece Plastics	Dry metal Paper Cardboard Wood Glass Plastics Floor covering

Measuring wheels 200 mm

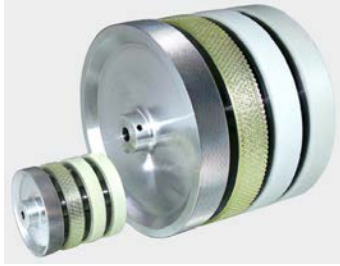
Dimensions



Ordering information



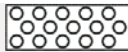


Part number	Replaces old part	For encoder shaft ø	Remarks
1069101-03	00208010	10 mm	Smooth Polyurethane
1069101-05	00208015	10 mm	Studded Polyurethane
1069101-06	00208028	4 mm	Studded Polyurethane
1069101-08	00208029	10 mm	Corrugated Polyurethane

Measuring wheels 500 mm



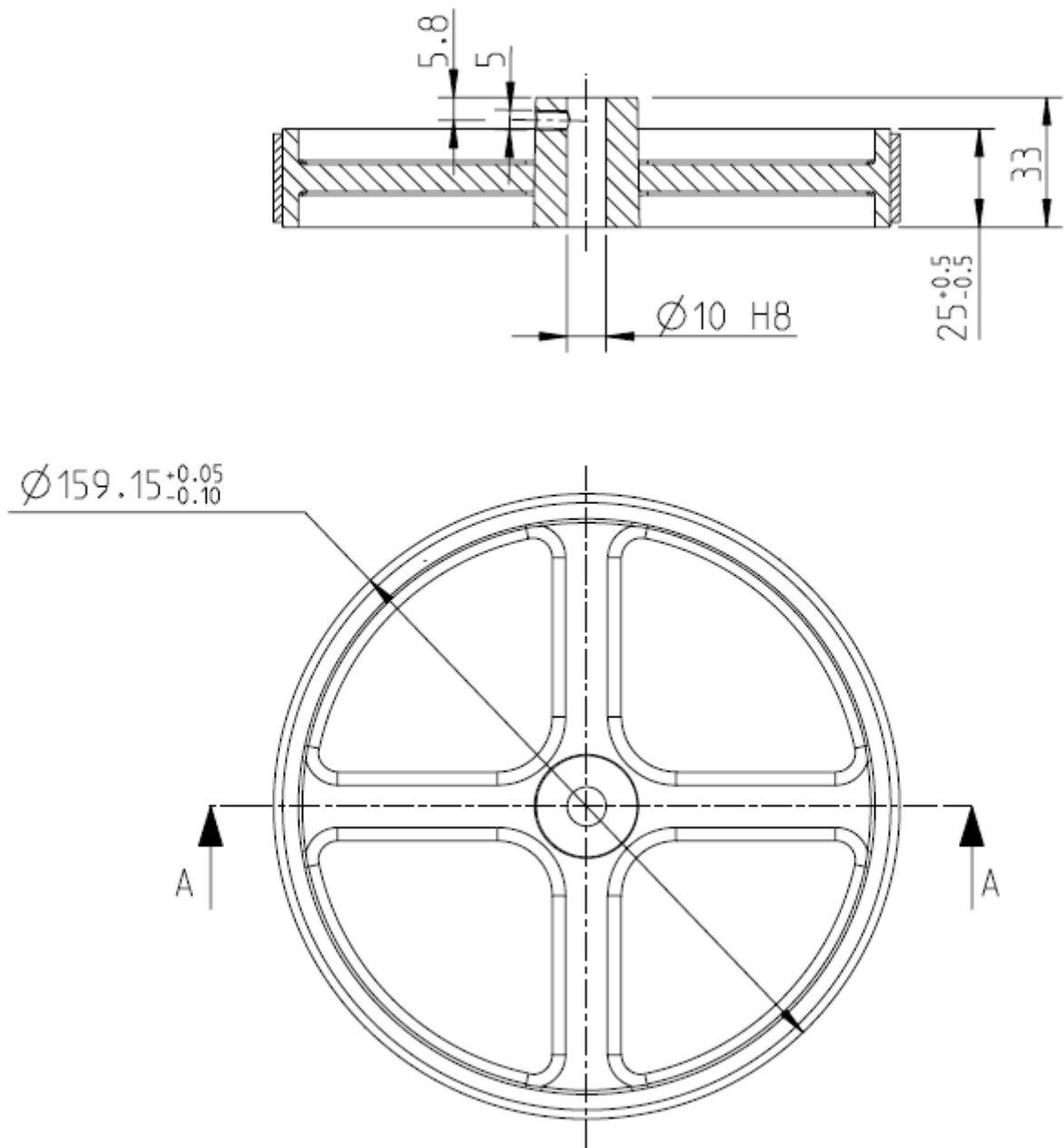
- Aluminium measuring wheels, axially and circumferentially knurled
Polyurethane coated, with different running surface structures, for length measurement of different materials.

Technical data

Part number	1069101-01	1069101-02	1069101-04	1069101-07	00208054
Fits Encoder shaft size	Ø10 mm	Ø10 mm	10 mm	Ø10 mm	Ø10 mm
Material core	Aluminium	Aluminium	Aluminium	Aluminium	Aluminium
Material running surface	Aluminium	Polyurethane	Polyurethane	Polyurethane	Vulcolan
Running surface structure	Cross-hatched knurling	Smooth	Studded	Corrugated	Smooth
Profile					
Circumference	500 mm ± 1	500 mm ± 1	500 mm ± 1	500 mm ± 1	500 mm ± 1
Weight	775 g	700 g	700 g	700g	290 g
Operating temperature range	-30°C...+80°C	-30°C...+80°C	-30°C...+80°C	-30°C...+80°C	-30°C...+80°C
Ex. Fields of application	Cardboard Wood Textiles Rubber Soft plastics	Greasy metals Steel profiles Plastics Paper Wood Cardboard Wires Leather	Rough textiles Carpets Paper Cardboard Wood Fleece Plastics	Dry metal Paper Cardboard Wood Glass Plastics Floor covering	Plastics Painted material Cardboard Paper Wood Metal

Measuring wheels 500 mm

Dimensions



Drawing for part 00208054

Ordering information

Part number	Replaces old model	For encoder shaft Ø	Remarks
1069101-01	00208055	10 mm	Cross hatched knurling, Aluminum
1069101-02	00208002	10 mm	Smooth Polyurethane
1069101-04	00208014	10 mm	Studded Polyurethane
1069101-07	00208030	10 mm	Corrugated Polyurethane
00208054	-	10 mm	Smooth Vulcolan measuring wheels with spokes