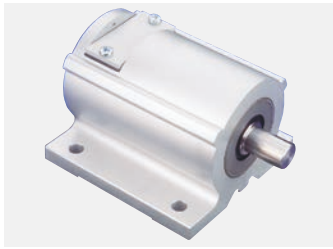


# Mechanical accessories



## Bearing box

Part no. 1322471-01, 1322471-02

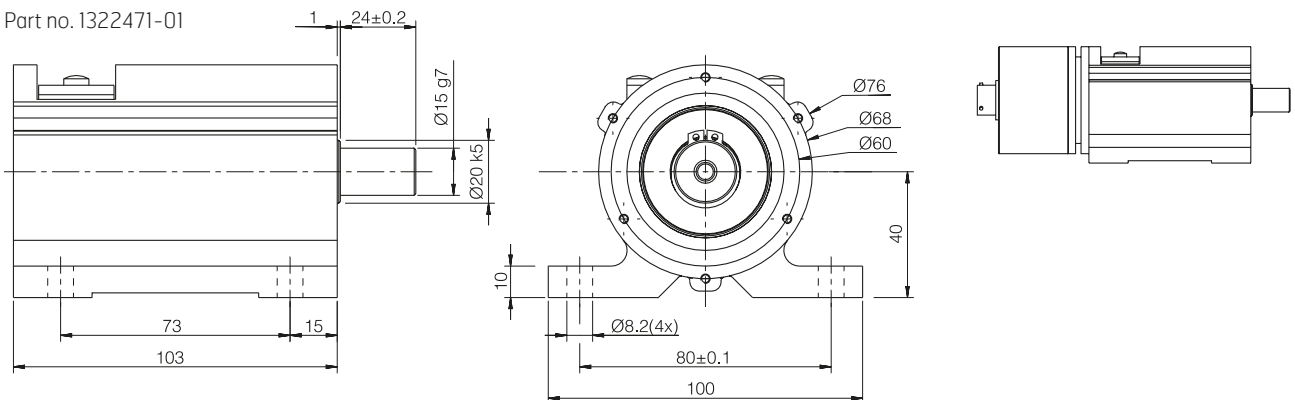


## Specification

Part no.	1322471-01	1322471-02
Shaft size	Ø 15 mm	Ø 10 mm
Shaft load max	Radial: 250 N, Axial: 150 N	
Speed max	4000 rpm	
Protection class	IP 64 according to IEC 60529	
Material	Shaft: Stainless steel, Housing: Aluminium, anodized	
Encoder shaft size	Ø 6 mm	
Encoder types	Fits all shaft encoders with -51, -52 or -63 flange. For model 525 use adapter 01209033.	

## Dimensions

Part no. 1322471-01



## Mounting kit for bearing box

Part no. 1322468-01, 1322468-02, 1322468-03



## Specification

Mounting kit	For bearing box 1322471-01/1322471-02
Contains	Shaft coupling 1282894-01, suitable O-ring, 3 mounting clamps with screws
For encoder	With -51 flange: part no. 1322468-01 With -63 flange: part no. 1322468-02 With -52 flange: part no. 1322468-03

# Mechanical accessories



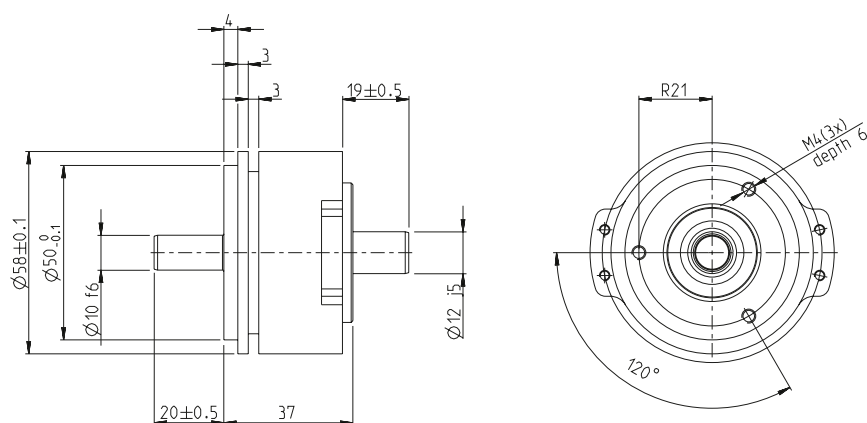
**Bearing box**  
Part no. 597825-01



## Specification

Part no.	<b>597825-01</b>
Shaft size	Ø 10 mm
Shaft load max	Radial: 200 N, Axial: 200 N
Speed max	4000 rpm
Protection class	IP 64 according to IEC 60529
Material	Shaft: Stainless steel, Housing: Aluminium, anodized
Encoder shaft size	Ø 12 mm
Encoder types	Fits all 12 mm hollow shaft encoders with stator coupling

## Dimensions



# Mechanical accessories



## Insulated hollow shaft adapter

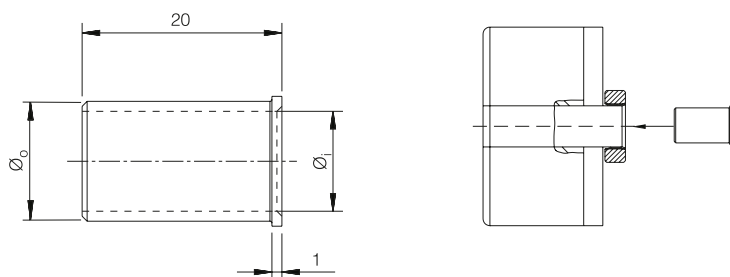
Part no. 1322680-01, 1322699-01



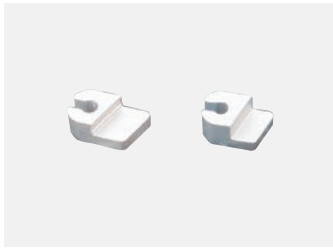
## Specification

Part no.	<b>1322680-01</b>	<b>1322699-01</b>
Adapter inner diameter ( $\varnothing_i$ )	$\varnothing$ 10 mm G7	$\varnothing$ 12 mm G7
Adapter outer diameter ( $\varnothing_o$ )	$\varnothing$ 12 mm	$\varnothing$ 14 mm
Material	PEEK	
Load max	Radial: 20 N, Axial: 10 N	
Speed max	6000 rpm	
Temperature	Operating: -40 °C .. +100 °C, Storage: -40 °C .. +100 °C	
Electrical insulation	< 500 VAC	
Encoder shaft size	$\varnothing$ 12 mm	$\varnothing$ 14 mm
Encoder type	Fits all hollow shaft encoders in the 500 series with shafts according to the specifications above	

## Dimensions



# Mechanical accessories



## Mounting clamps

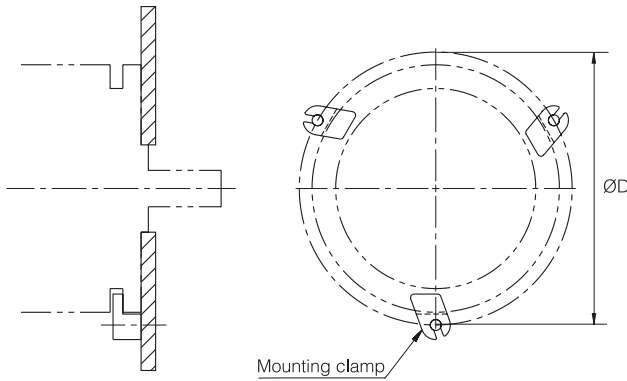
Part no. 1282152-01, 1282264-01



## Specification

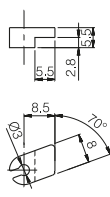
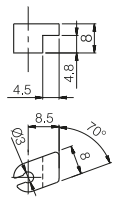
Part no. (1 unit)	1282152-01	1282264-01
For encoder type	All encoders with -51 or -52 flange	All encoders with synchro -63 flange
Material	Aluminium, anodized	
Recommended screw	M3 x 16	M3 x 12

## Dimensions

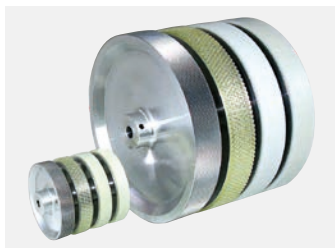


Encoder	Mounting clamp	Ø D
670, 672, 674, 684	3 x 1282264-01	67,5
-51 flange	3 x 1282152-01	67,0
-52 flange	3 x 1282152-01	77,0
-63 flange	3 x 1282264-01	67,5

Part no. 1282152-01    Part no. 1282264-01



# Mechanical accessories



## Measuring wheel

Part no. 1069101-01 .. -08, 1322557-01



## Specification

Circumference	<b>500 mm</b>
Surface material	Burled rubber surface: part no. <b>1069101-04</b> PU-surface: part no. <b>1069101-02</b> Bordered PU-surface: part no. <b>1069101-07</b> Metal surface: part no. <b>1069101-01</b> Vulcolan smooth: part no. <b>1322557-01</b>
Encoder shaft size	Ø 10 mm
Circumference	<b>200 mm</b>
Surface material	Burled rubber surface: part no. <b>1069101-05</b> PU-surface: part no. <b>1069101-03</b> Bordered PU-surface: part no. <b>1069101-08</b>
Encoder shaft size	Ø 10 mm
Circumference	<b>200 mm</b>
Surface material	Burled surface: part no. <b>1069101-06</b>
Encoder shaft size	Ø 4 mm

# Mechanical accessories



## Mounting bracket

Part no. 1322553-01, 1322916-01

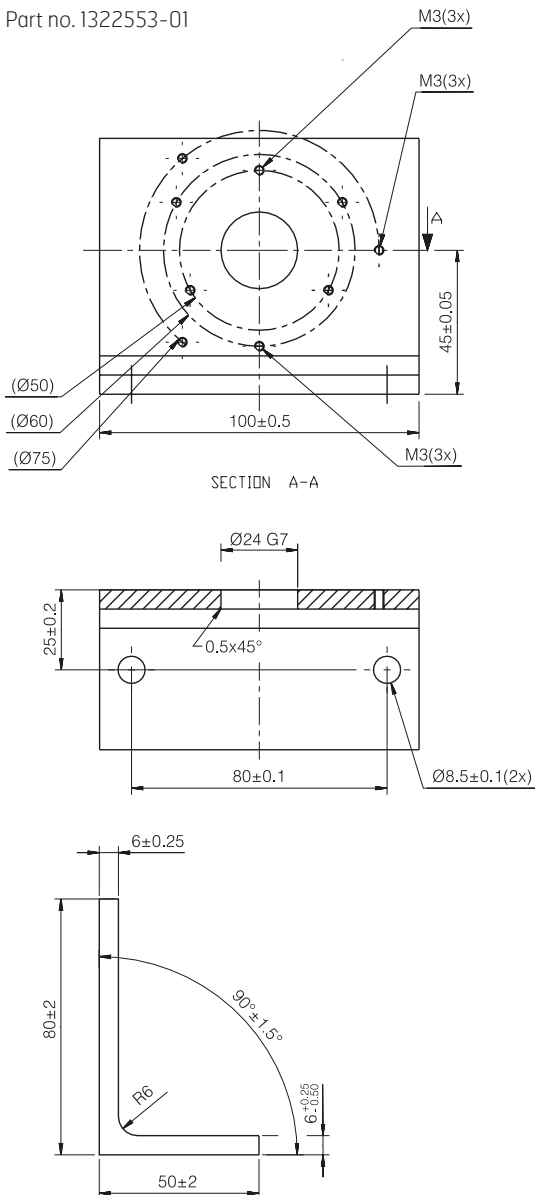


## Specification

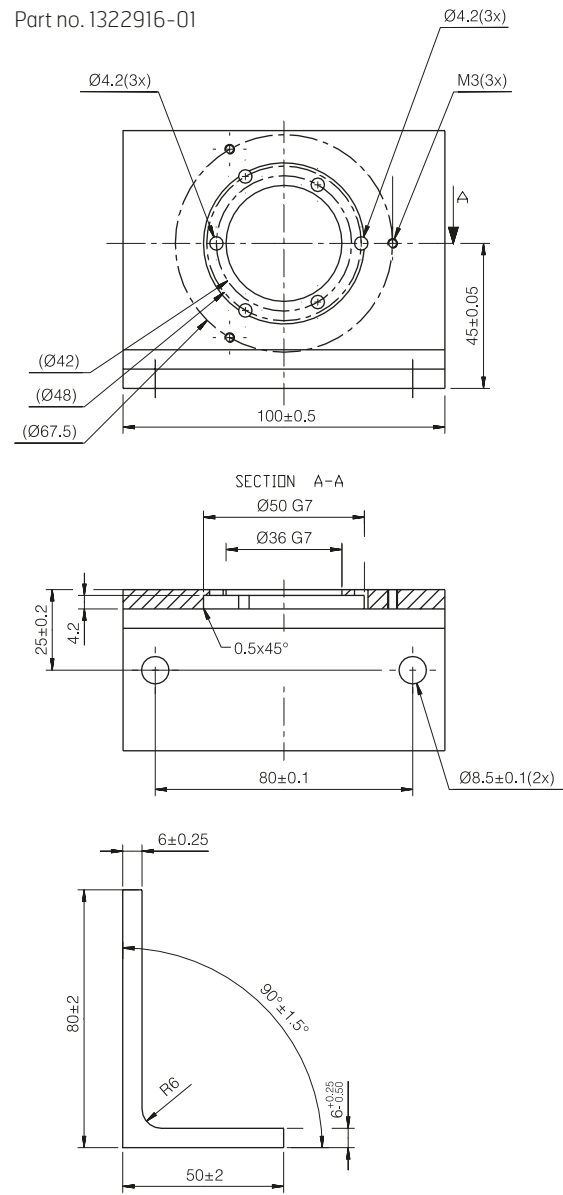
Part no.	1322553-01	1322916-01
For encoder type	All encoders with -51 or -52 flange	All encoders with -61 or -63 flange
Material	Aluminium, anodized	

## Dimensions

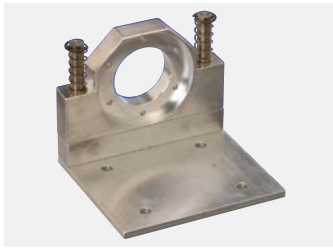
Part no. 1322553-01



Part no. 1322916-01



# Mechanical accessories



## Springloaded bracket

Part no. 1207147-01, 1232697-01

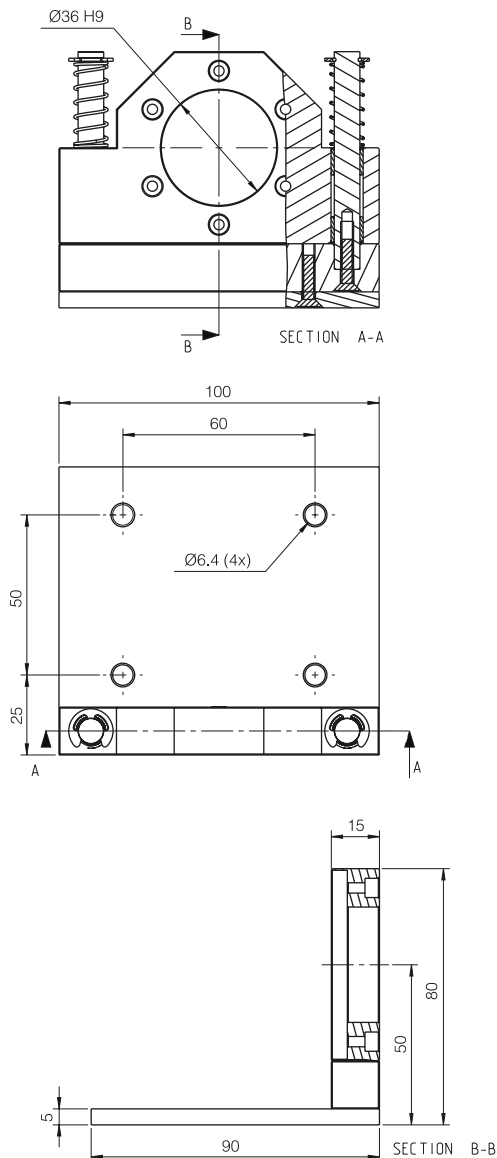


## Specification

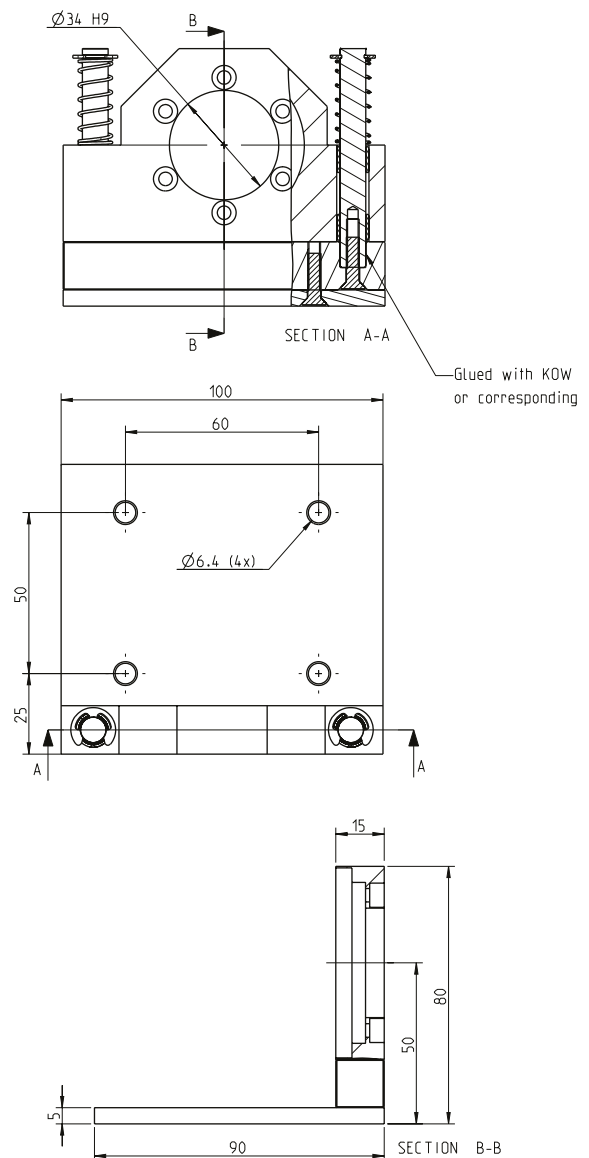
Part no.	1207147-01	1207147-02	1232697-01
For encoder type	61 flange (500 Series)	61 flange (600 Series)	63 flange (All encoders)
Replaces	01209110	-	01209153
Material	Aluminium, anodized		

## Dimensions

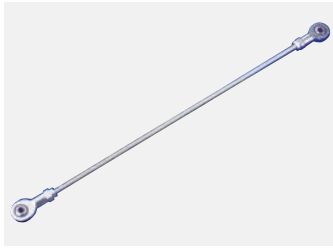
Part no. 1207147-01, -02



Part no. 1232697-01



# Mechanical accessories



## Torque arm with insulated rod ends

Part no. 1254627-xx, 1254632-xx



## Specification

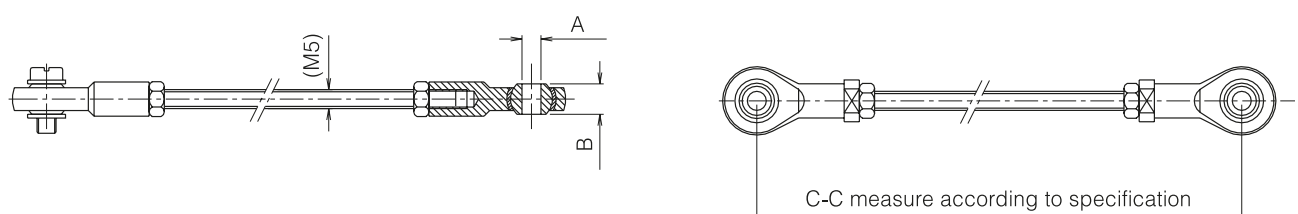
Part no.	1254627-xx (Replaces 01208013)	1254632-xx (Replaces 01208014)
Fastening screw	M5	M6
Length	Min 70 mm, Max 1000 mm in 5mm increments.	
Measurements A / B	Ø 5,0 mm / Ø 8,0 mm	Ø 6,0 mm / Ø 9,0 mm
Material	Zink, plated steel	

## Available lengths

C-C Length	M5 (Replaces 01208013)	M6 (Replaces 01208014)
70 mm	1254627-03	1254632-09
80 mm	-	1254632-02
86 mm	-	1254632-01
100 mm	1254627-09	1254632-16
120 mm	1254627-02	1254632-18
130 mm	-	1254632-20
150 mm	1254627-05	1254632-15
160 mm	-	1254632-19
180 mm	-	1254632-10
200 mm	1254627-08	1254632-08
240 mm	1254627-13	1254632-05
250 mm	1254627-12	1254632-06
275 mm	-	1254632-14
300 mm	1254627-10	1254632-13
310 mm	-	1254632-03
320 mm	1254627-04	1254632-07
400 mm	1254627-01	1254632-04
450 mm	1254627-11	1254632-11
500 mm	1254627-06	1254632-12
1000 mm	1254627-07	1254632-17

Other lengths available on request with 5mm increments between 70mm and 1000mm.

## Dimensions





# Mechanical accessories



## Torque arm

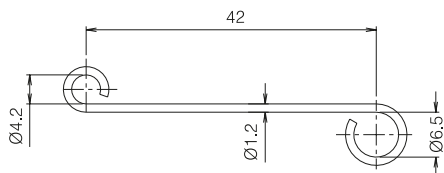
Part no. 1322561-01



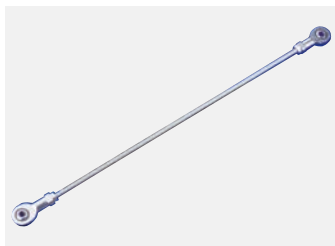
## Specification

Part no.	<b>1322561-01</b>
Fastening screw	M5 - M6
Length	42 mm
Encoder types	Fits all encoders with -56, -57, -58 or -59 flange

## Dimensions



# Mechanical accessories



## Torque arm (Stainless steel)

Part no. 1284678-XX

Attention: Rod ends are not insulated.



## Specification

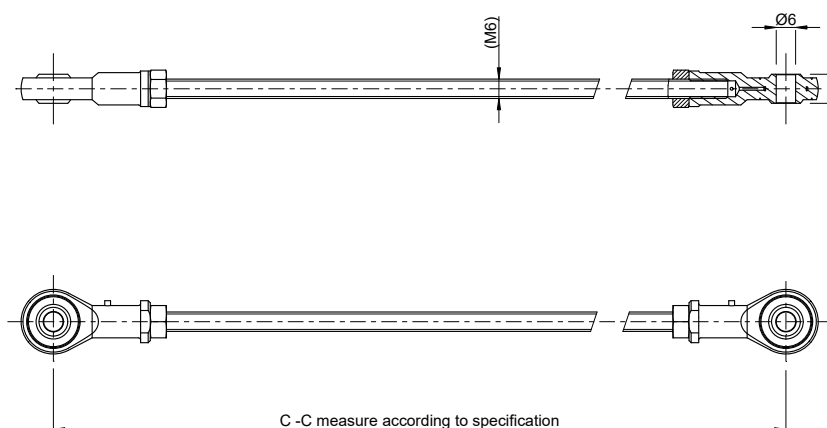
Part no.	1284678-XX (Replaces 01208015)
Fastening screw	M6
Length	Min 70 mm, Max 1000 mm in 5mm increments
Material	Stainless steel (A2)

## Available lengths

C-C Length	M6 (Replaces 01208015)
84 mm	1284678-01
90 mm	1284678-08
100 mm	1284678-02
150 mm	1284678-03
160 mm	1284678-04
175 mm	1284678-05
230 mm	1284678-06
300 mm	1284678-07

Other lengths available on request with 5mm increments between 70mm and 1000mm.

## Dimensions



# Mechanical accessories



## Torque bracket

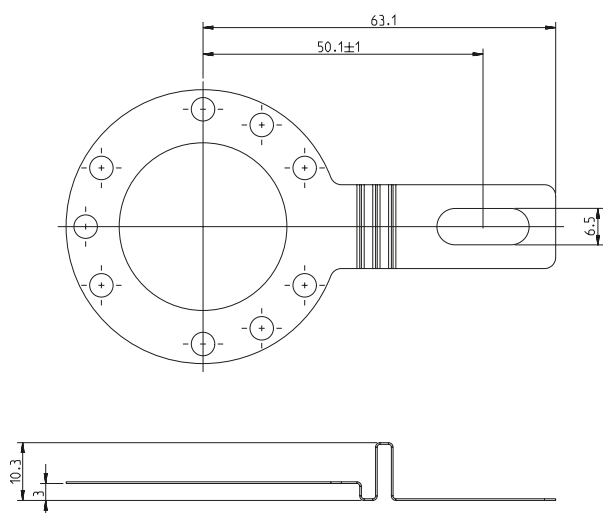
Part no. 531441-01



## Specification

Part no.	531441-01
Fastening screw	M4
Encoder types	Fits all encoders in the 500 series with -58 or -59 flanges and all encoders with -63 flange

## Dimensions



# Mechanical accessories



## Torque bracket

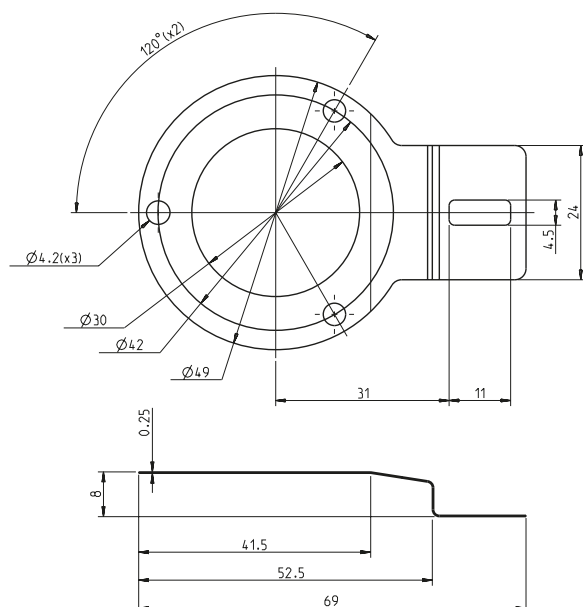
Part no. 534177-01



## Specification

Part no.	<b>534177-01</b>
Fastening screw	M4
Encoder types	Fits all encoders in the 500 series with -58 or -59 flanges and all encoders with -63 flange

## Dimensions



# Mechanical accessories



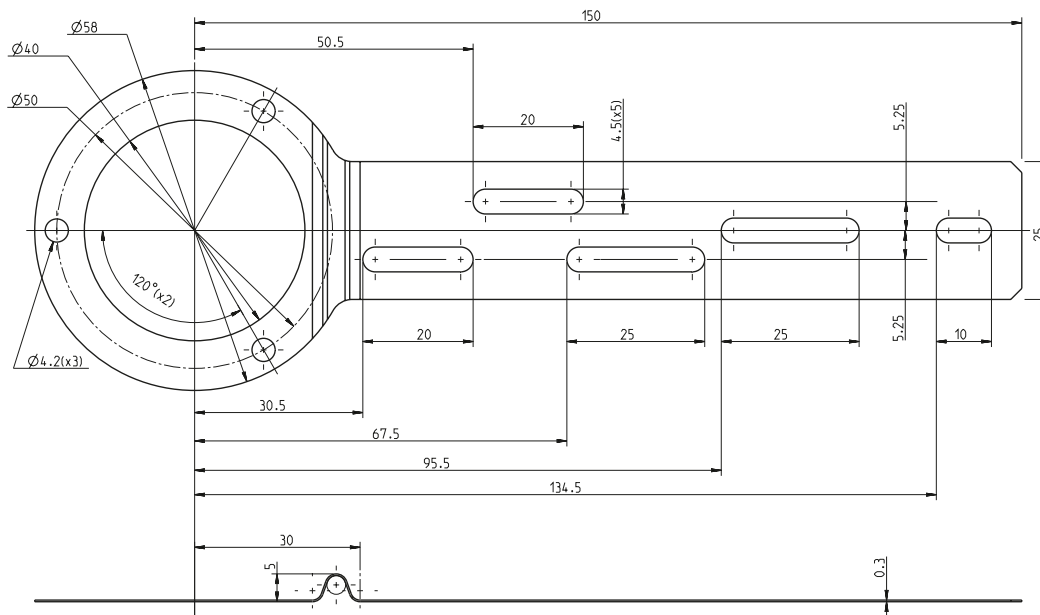
**Torque bracket**  
Part no. 534184-01



## Specification

Part no.	534184-01
Fastening screw	M4
Encoder types	Fits all encoders in the 500 series with -51, -56, -57, -58 or -59 flange

## Dimensions



# Mechanical accessories



## Torque bracket

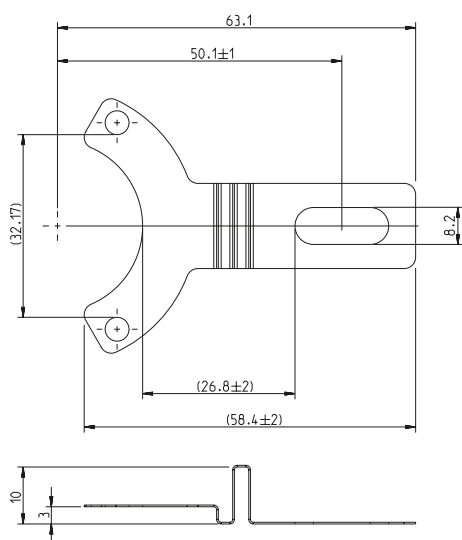
Part no. 1322563-01



## Specification

Part no.	1322563-01
Fastening screw	M4
Encoder types	Fits all encoders with -63, 58 and 59 flange

## Dimensions



# Mechanical accessories



## Torque bracket

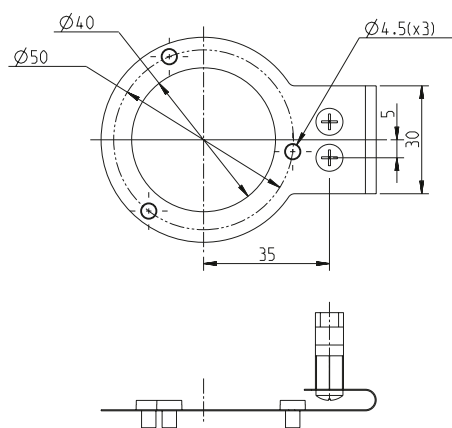
Part no. 1322579-01



## Specification

Part no.	1322579-01
Fastening screw	M4
Encoder types	Fits all encoders in the 500 series with -51, -56, -57, -58 or -59 flange

## Dimensions



# Mechanical accessories



## Torque bracket

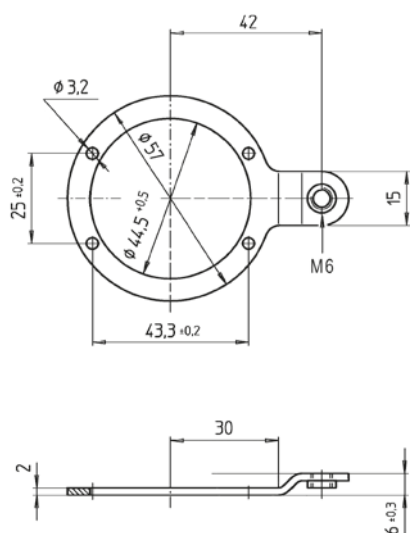
Part no. 1322683-01



## Specification

Part no.	<b>1322683-01</b>
Fastening screw	M2,5
Encoder types	Fits all encoders in the 500 series with -58 or -59 flange

## Dimensions





# Mechanical accessories



## Torque arm bracket

Part no. 609451-01

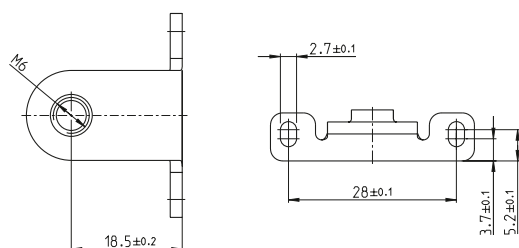


## Specification

Part no.	<b>609451-01</b>
Fastening screw	M2,5
Encoder types	Fits all encoders in the 600 series with -58 or -59 flange



## Dimensions



# Mechanical accessories



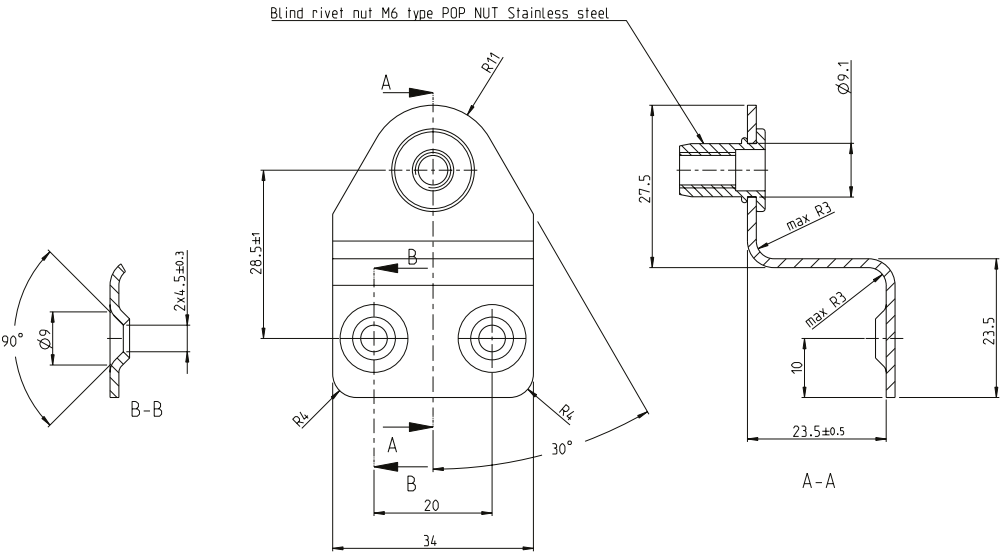
**Torque arm bracket**  
Part no. 1236450-02



## Specification

Part no.	1236450-02
Encoder types (fastening screws included)	For 861, 862, 865 and 841 encoders

## Dimensions



# Mechanical accessories



## Torque arm bracket

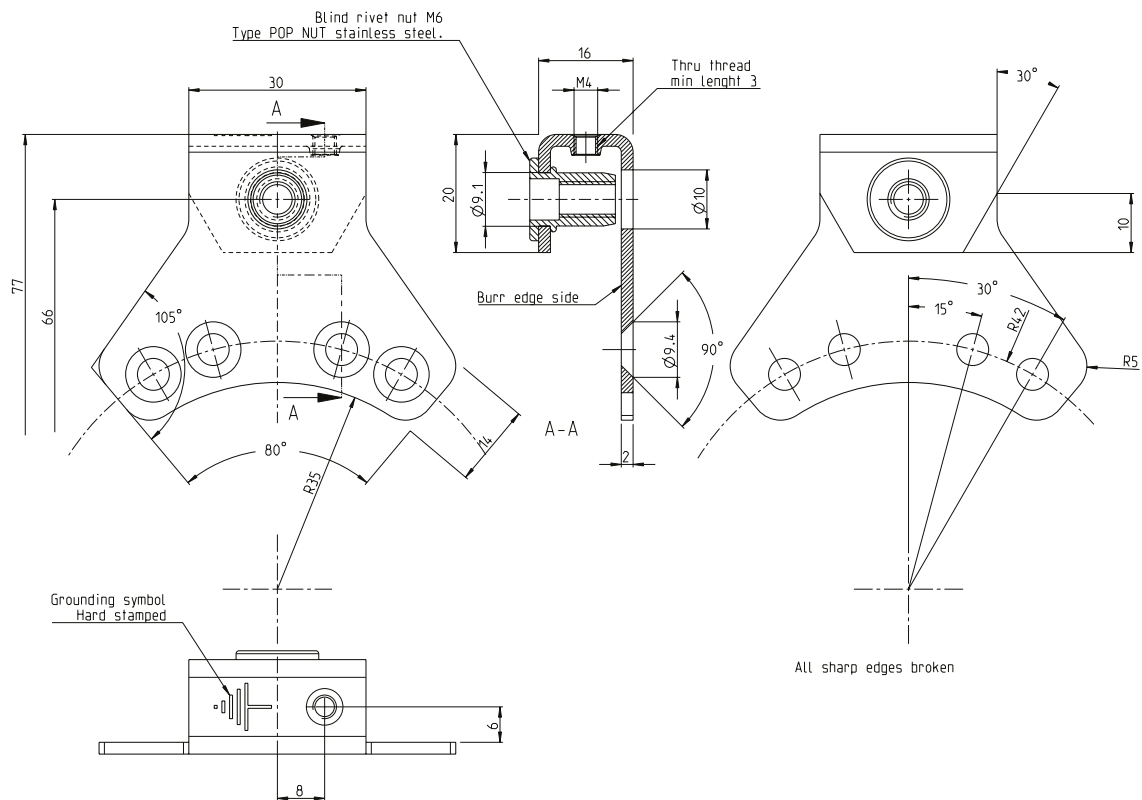
Part no. 825056-01



## Specification

Part no.	<b>825056-01</b>
Encoder types (fastening screws included)	For 700, 8X1 and 8X3 encoders

## Dimensions



# Mechanical accessories



## Stator coupling (multi functional)

Part no. 621604-01

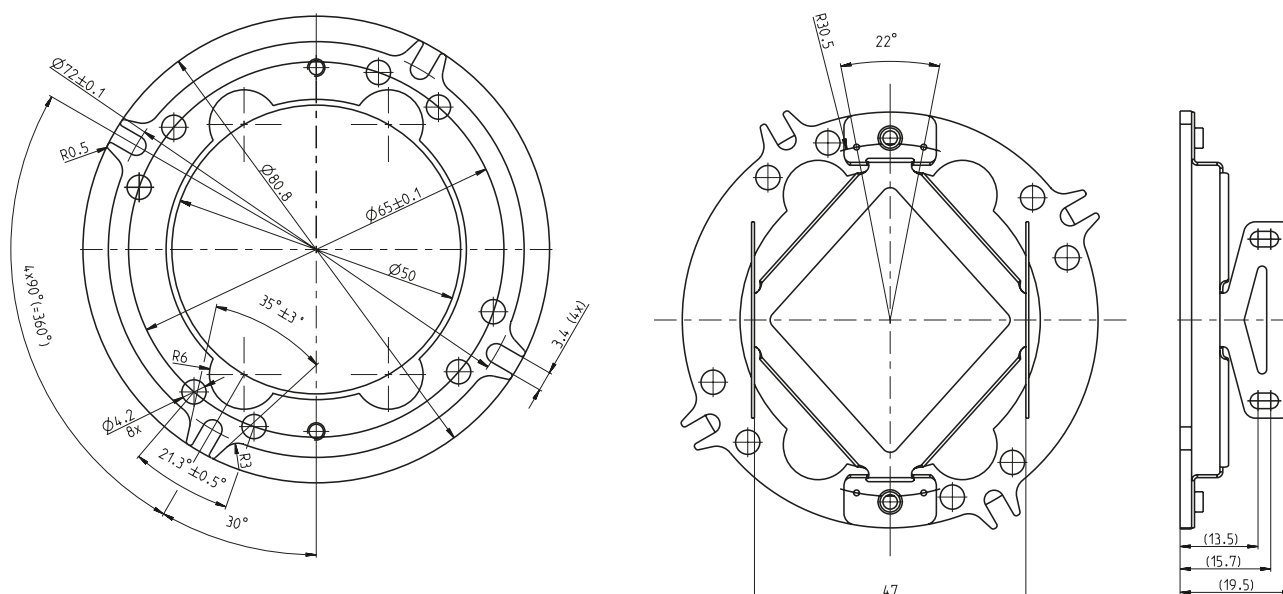


## Specification

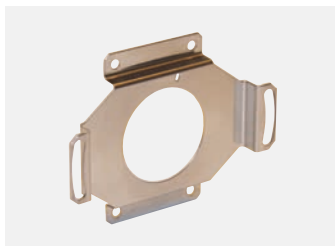
Part no.	621604-01
Fastening screw	M2,5
Encoder types	Fits all encoders in the 600 series with -58 or -59 flange



## Dimensions



# Mechanical accessories



## Stator coupling

Part no. 533236-01

CE

### Specification

Part no.	<b>533236-01</b>
Fastening screw	M2,5
Encoder types	Fits all encoders in the 500 series with -58 or -59 flange



## Stator coupling

Part no. 637156-01

CE

### Specification

Part no.	<b>637156-01</b>
Fastening screw	M2,5
Encoder types	Fits all encoders in the 600 series with -58 or -59 flange

# Mechanical accessories



## Adapter flange

Part no. 537704-01

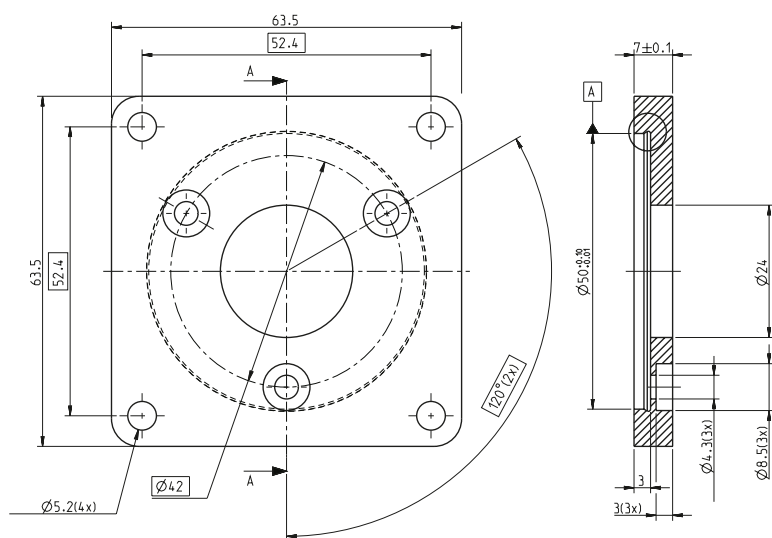


## Specification

Part no.	537704-01
Fastening screw	M4
Encoder types	Fits all encoders with -63 flange



## Dimensions



# Mechanical accessories



## Adapter flange

Part no. 543802-01, 543802-02

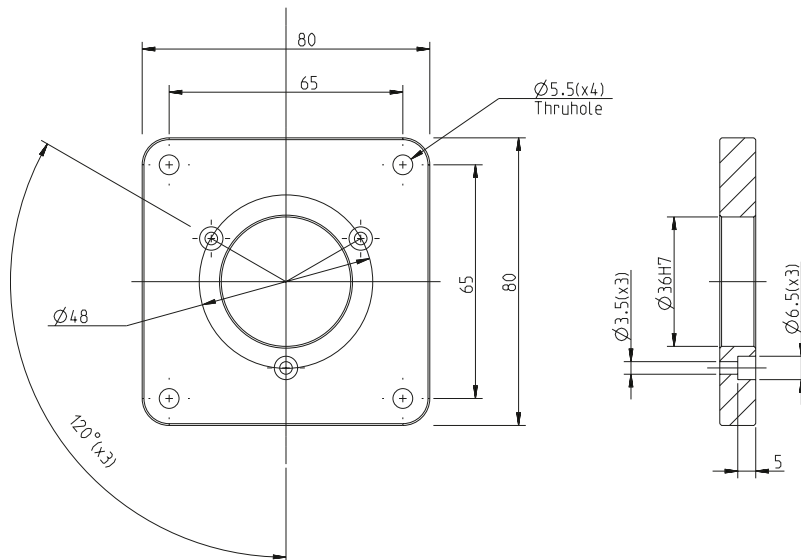


## Specification

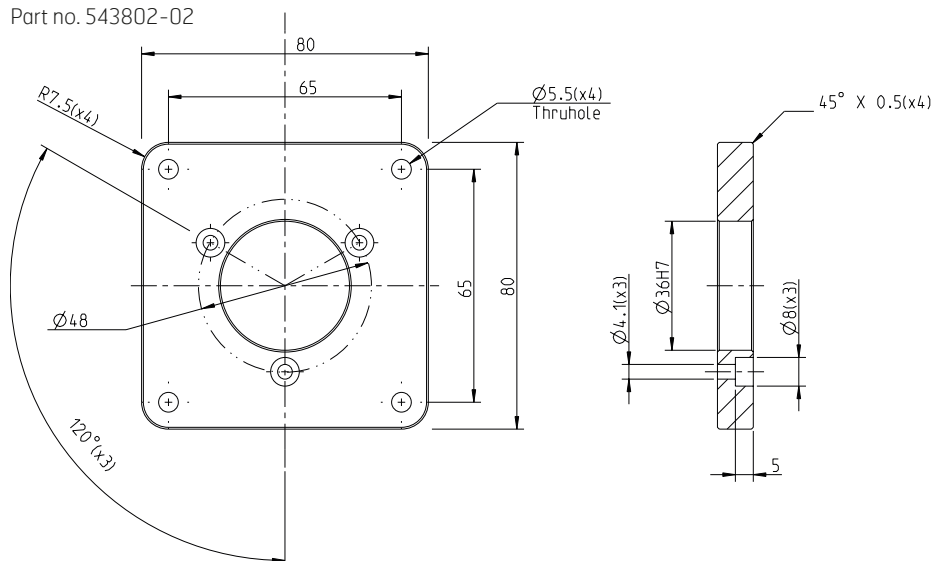
Part no.	<b>543802-01</b>	<b>543802-02</b>
Fastening screw	M3	M4
Encoder type	Fits all encoders with -61 flange	

## Dimensions

Part no. 543802-01



Part no. 543802-02



# Mechanical accessories



## Adapter flange

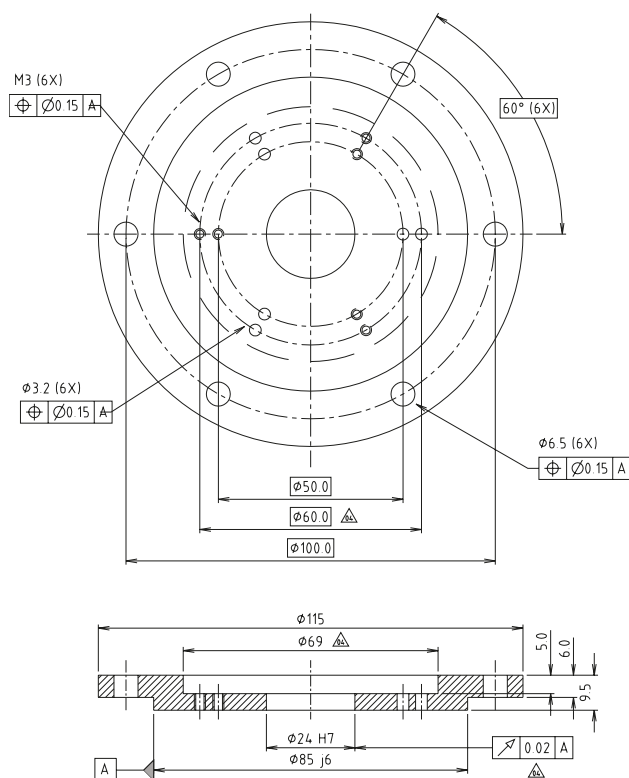
Part no. 1322554-01



## Specification

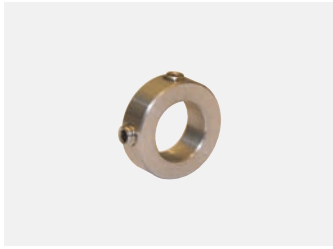
Part no.	1322554-01
Fastening screw	M3
Encoder types	Fits all encoders with -51 or -52 flange

## Dimensions





# Mechanical accessories



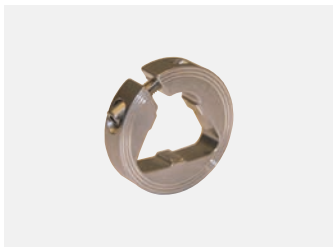
## Clamping ring

Part no. 1322698-01, 1322578-01, 1322696-01

CE

### Specification

Part no.	<b>1322698-01</b>	<b>1322578-01</b>	<b>1322696-01</b>	<b>1322918-01</b>
For shaft size	Ø 10 mm	Ø 12 mm	Ø 14 mm	Ø 15 mm
Encoder types	For all encoders with -56, -57, -58 or -59 flange in the 500 series (fastening screws included)			



## Clamping ring

Part no. 664519-01

CE

### Specification

Part no.	<b>664519-01</b>
For shaft size	Ø 12 mm
Encoder types	For hollow shaft encoders in the RHA 600 series (fastening screws included)



## Clamping ring

Part no. 1037183-01

CE

### Specification

Part no.	<b>1037183-01</b>
For shaft size	Ø 12 mm
Encoder types	For hollow shaft encoders in the IHA 600 series (fastening screws included)

# Mechanical accessories



## Tether arm

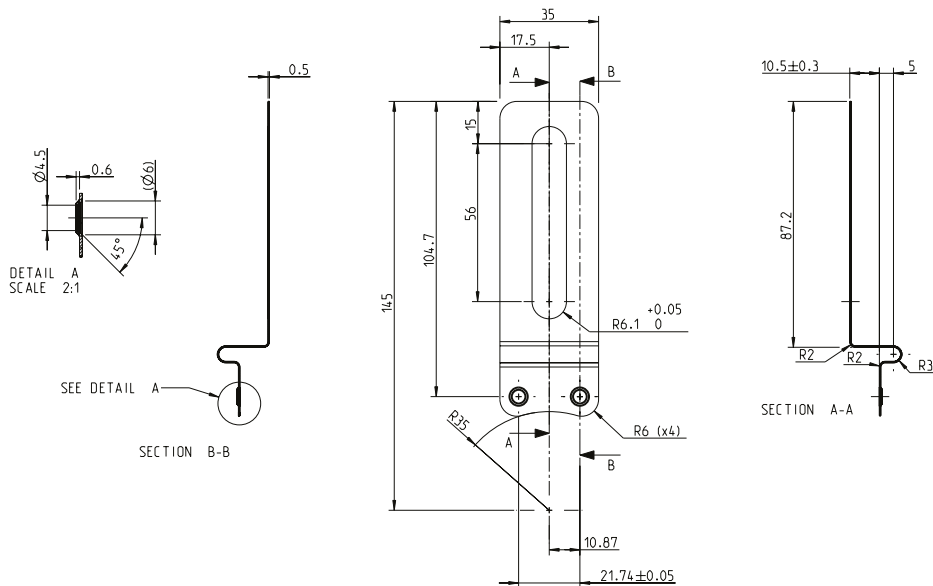
Part no. 800607-01



### Specification

Part no.	<b>800607-01</b>
Encoder types	For encoders in the 700 series (fastening screws, washer and bushings included)

### Dimensions



## Mounting screws

Part no. 535568-01, 535568-02



### Specification

Part no.	<b>535568-01</b>	<b>535568-02</b>
Mounting screws	M3 x 60 mm	M3 x 55 mm
Encoder types	For encoders with -52 flange	For encoders with -51 flange